

Maschinenbau

BALIK

BALIK BARREL – MIXER **For Barrels 20 to 200 Litre** **Application Areas:**

**dry solids - powdered, granular
liquids**

The barrel lies on a carrying arm with 38° to the spin axis.

The barrel is fixed with 2 belts on the carrying arm.

Maximum size of barrel: 595mm diameter x 883mm (200 Litre)

Advantage: Containers with all sizes can be used

Maximum barrel weight: 300 kg

Revolutions per minute of the spin axis: 30

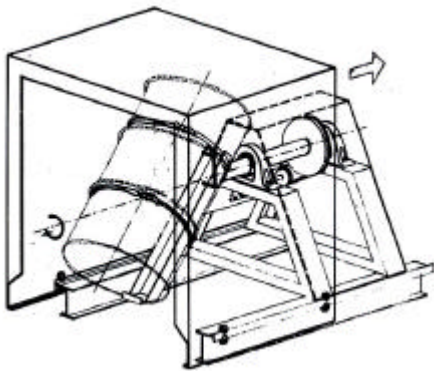
Drive: 1,5 KW

(stepless speed control and explosion proof against additional price)

Mixing good: Liquids or powder

Weight of the machine: approx. 400 kg

Area needed: width/depth/height.....1200/1500/1600 mm



BALIK Maschinenbau GmbH. A-1210 Vienna, Guschelbauergasse 5

Tel.: +43 (1) 270 89 91-0, FAX: +43 (1) 270 89 91-20, E-Mail: balik@balik.at, Homepage: www.balik.at